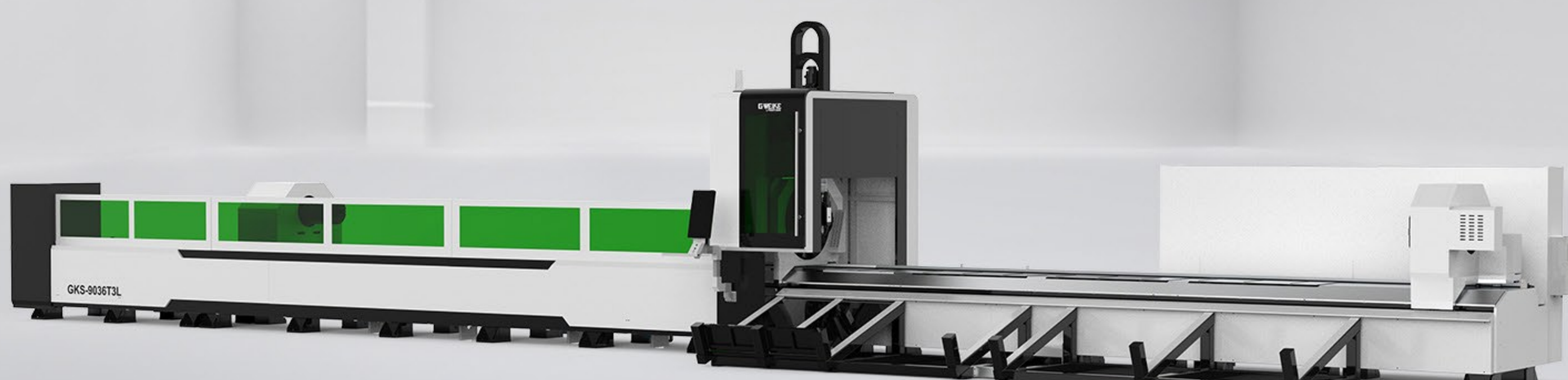


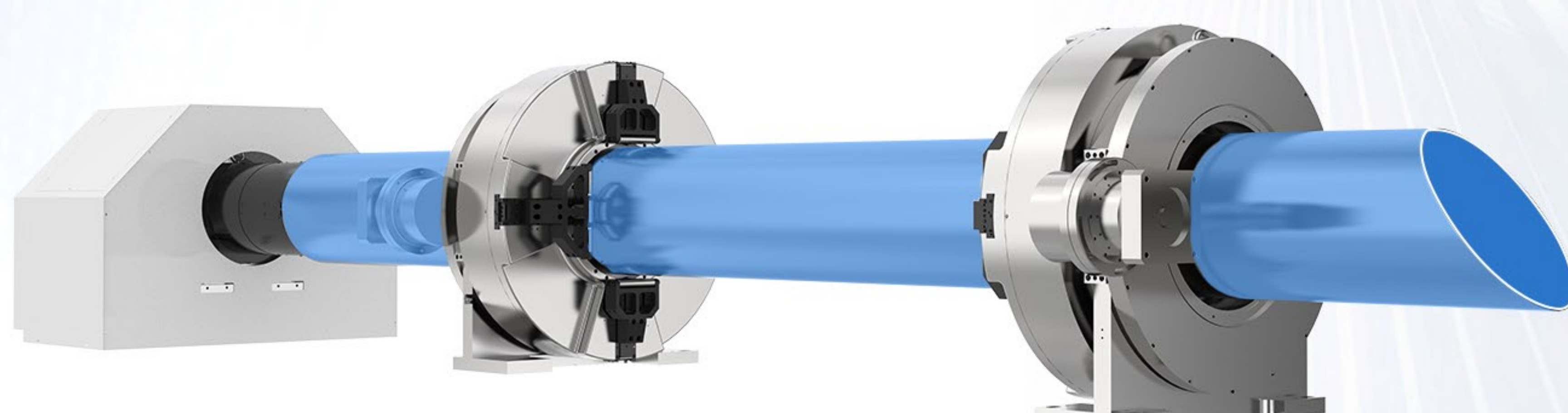
# GKS 9036T3L

## Three-Chuck Tube Laser Cutting Machine



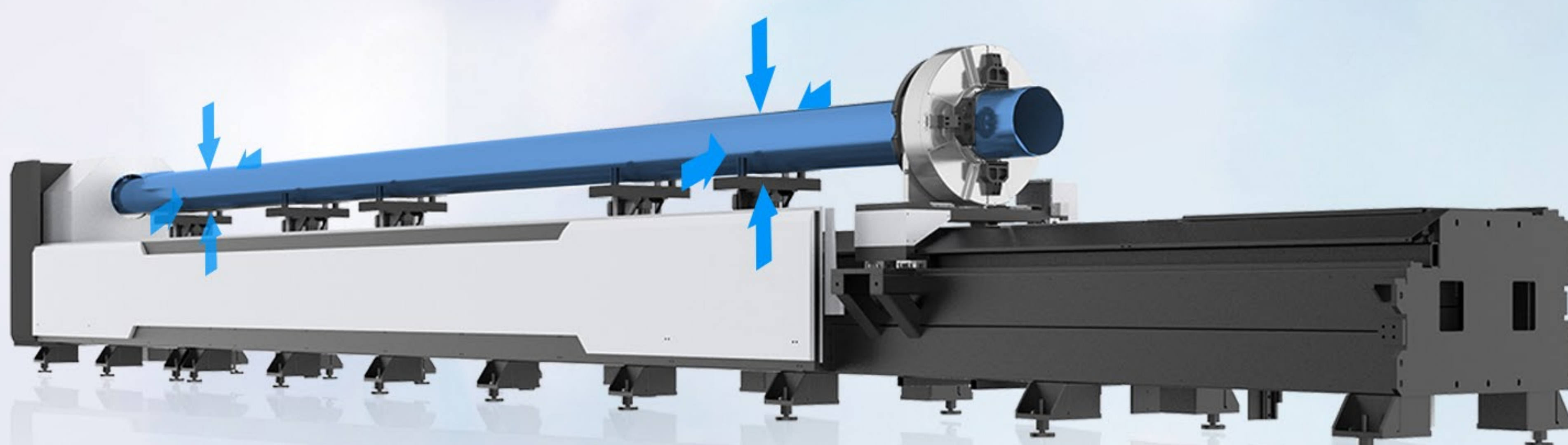
### 3 Pneumatic Chucks Design, Zero Tail Cutting

Zero tail material design, save raw material cost for customers. Equipped with 360 square precision pneumatic 3 chucks, the maximum load-bearing capacity of a single pipe is 700KG



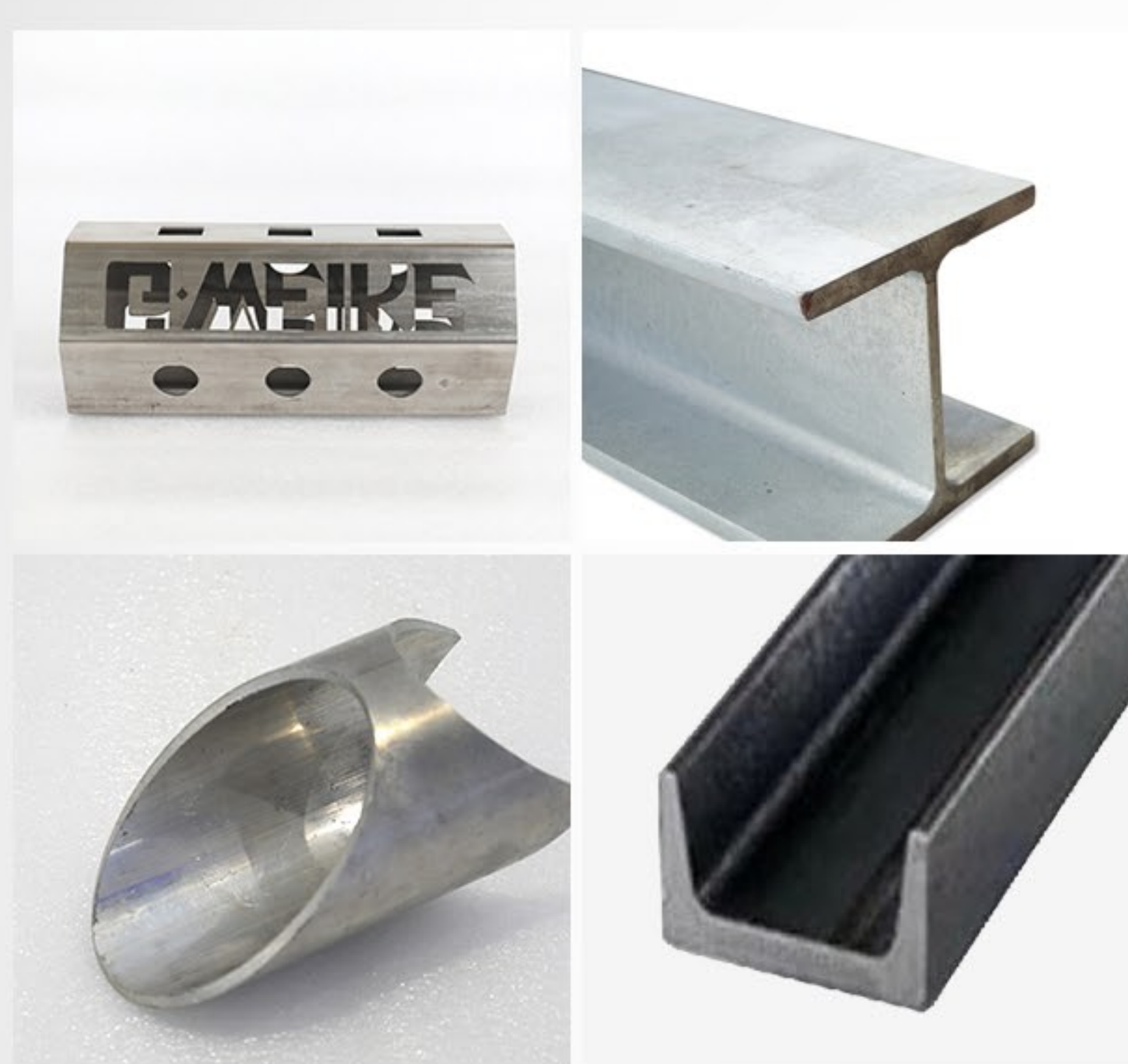
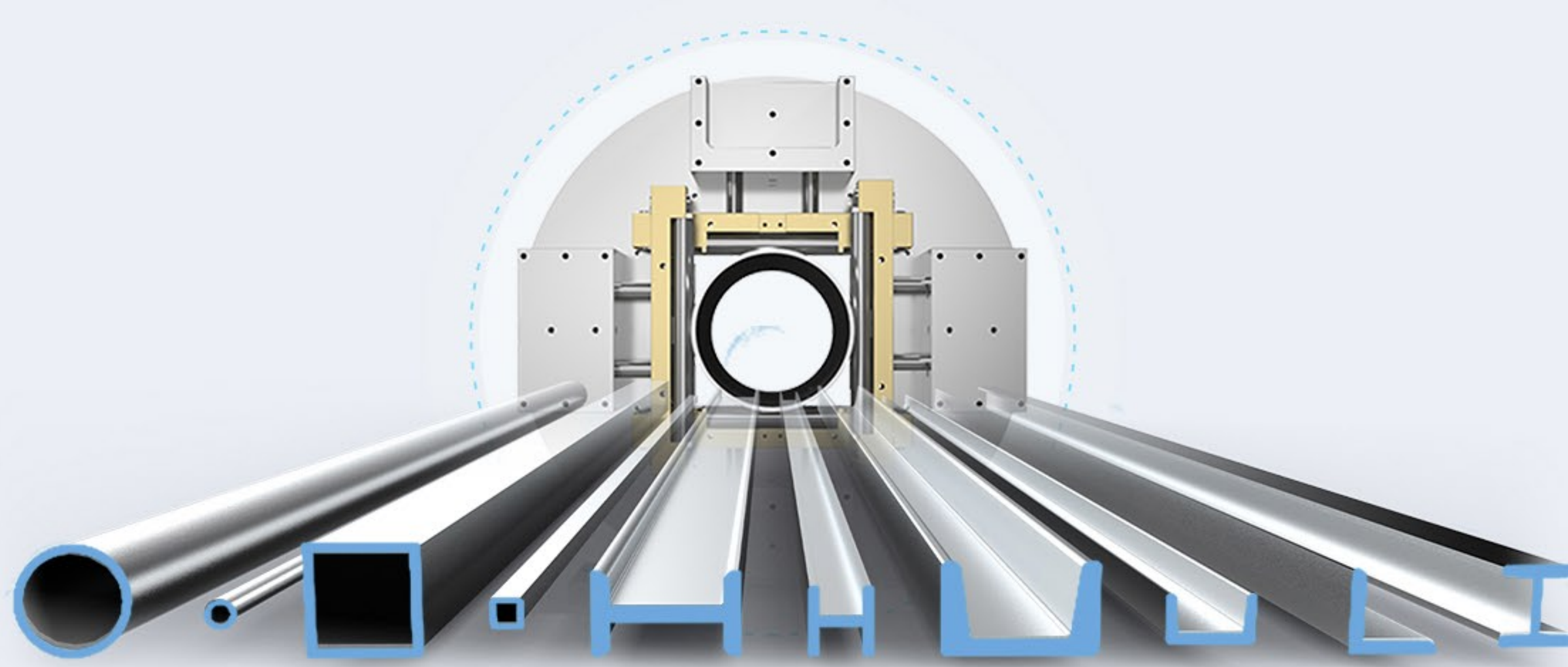
### Follow-up Support

In the process of tube cutting, the tube is intelligently supported to prevent the tube from sagging and swinging, so as to ensure the cutting accuracy. The follow-up support for blanking can also realize automatic blanking and save labor.



### Support All Types of Tube Cutting

Support round tube, square tube, round tube, rectangular tube, angle steel, channel steel and various tube cutting



### Industry Applications

6036T3L horizontal three-chuck heavy-duty pipe laser cutting machine, equipped with 360 °.

Precision pneumatic chuck, the maximum load-bearing capacity of a single pipe is 700KG.

Pipe diameter cutting range: round pipe  $\phi 20\text{-}\phi 360\text{mm}$ , square tube 20-250mm.

This pipe cutting machine is very suitable for cutting standard pipes such as round pipes, square pipes, and rectangular pipes. Most shaped tubes and Open-type materials can be processed, such as hexagonal tubes, oval tubes, I-beams, channel steels, and angle steels.

### PRODUCT PARAMETERS

Machine Model	GKS-6036T3
Laser power	1000W 1500W 2000W 3000W 4000W 6000W 8000W
Clamping range	Round pipe: $\phi 20\text{-}360\text{mm}$ , Square pipe: $\square 20\text{-}250\text{mm}$
Maximum rotating speed	65r/min
Effective cutting length of pipe	9500mm
Single pipe load-bearing	700kg
Chuck structure	360 Pneumatic Chuck

### JINAN G.WEIKE SCIENCE & TECHNOLOGY CO.,LTD

In hi Tech square High-Tech Zone, Jinan, Shandong, China

E-mail: [wkcutt@wklaser.com](mailto:wkcutt@wklaser.com)

Hotline: 400-061-521

Fax: +86-0531-88912386